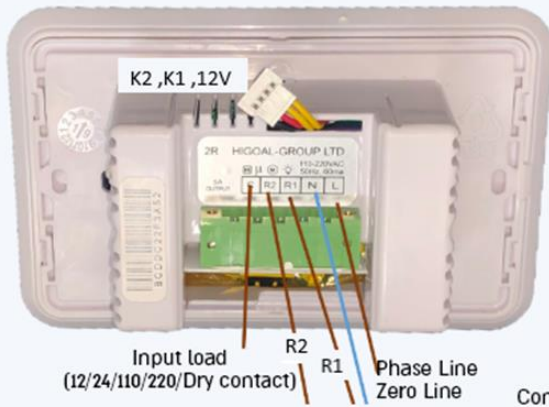


Connecting an external sensor to operate a channel



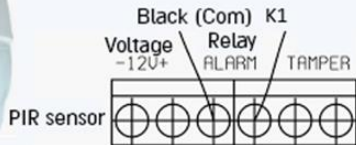
Bridge C and L

Red - 12V+
 Black - 12V-, K1+K2 Com
 K1 - Dry Contact for R1
 K2 - Dry Contact for R2

R1 - Output 1 220V
 R2 - Output 2 220V

Enter a room will turn on relays for a configured period of time.
 If person detected while relay on, the time period will be extended.
 If no person detected, the relay will turn off once time is over.

Config time period using the instructions.
 connect lights/ac to relevant output in parallel to the sensor connected.



Notice: You able to control 2 separated spaces by connecting
 Lights and sensor to R1, K1 and Lights and sensor to R2, K2.